

# AMPLETEK Cable accessories - Medium Voltage

## ▶ IEC 35(40.5)kV Screened Front & Rear connector

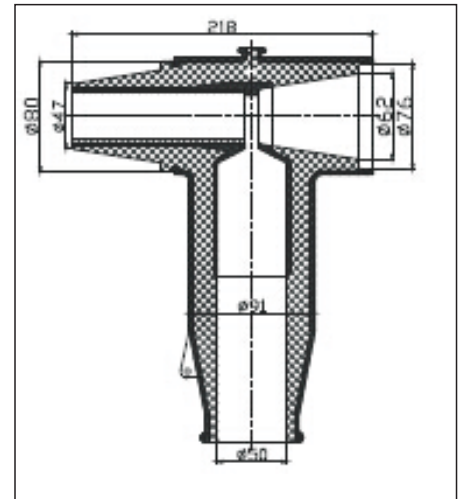
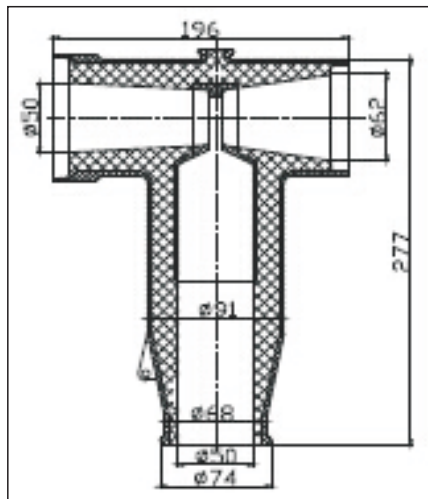


Type: AQT3-35(40.5)/630KC

1. Suitable for the high voltage electrical apparatus of power plant, power transformer station at or under 40.5kV, such as cable branch box, combination transformer and incoming/outgoing line of GIS system.
2. Fully insulated, fully sealed and fully screened.
3. Adopt advance back injecting technology, the electric performance reach the international leading level.
4. More safe and reliable.
5. Little effect by bad weather to mounting condition.
6. Coagulation dew resistant and contaminate proof, free of maintenance.
7. The stress settled with high partial discharge level adopted German technology.
8. The small dimension sufficiently meets the mounting space requirement.
9. Leading provision cable connector in the world.
10. The conductor cross section is 50-630mm<sup>2</sup>.
11. IEC suitable for size  $\phi 46 / \phi 56 / 91.5$  mm bushing.



Type: AHT3-35(40.5)/630KC



Type: AEB-35(40.5)/630

