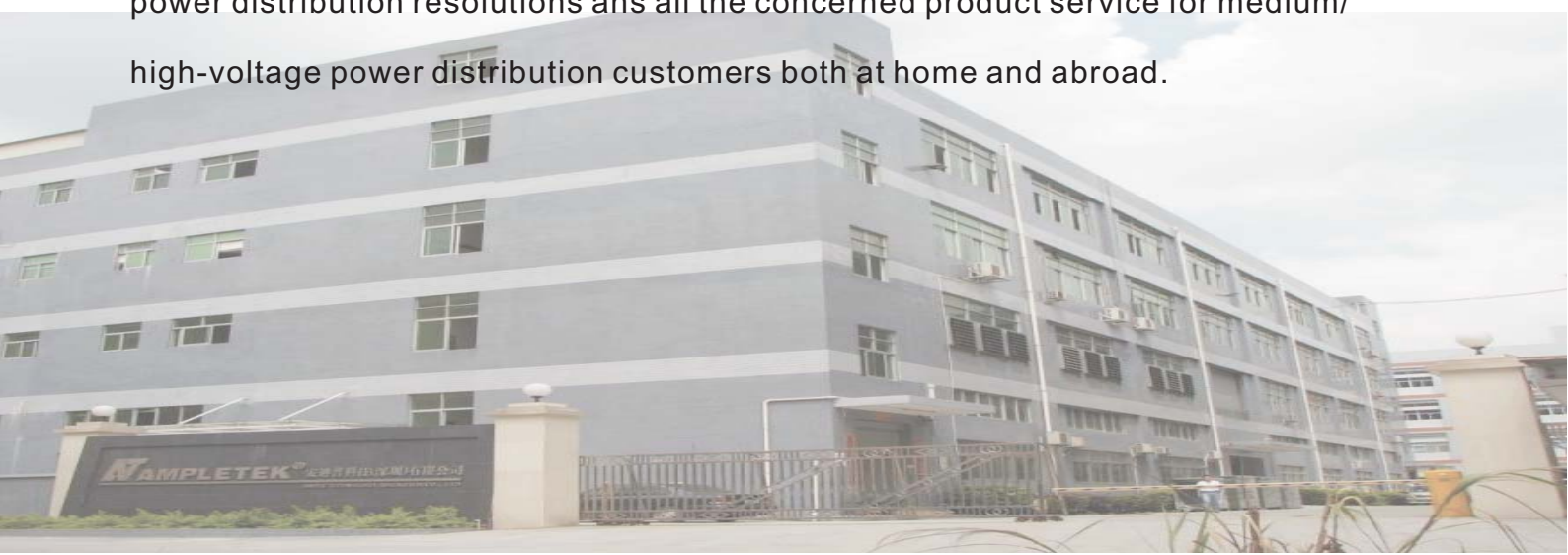


AMPLETEK Cable accessories - Medium Voltage

► Company Brief Introduction



Guangdong AMPLE Technology Co.,Ltd., is a large-scale manufacturer with the integration of research, production and marketing of M.V.& H.V. cable accessories. The company mainly business in medium/high-voltage cable plug parts, GIS inner cone plug-in terminals as well as screen zinc-dioxide arresters, covering voltage levels from 6kV to 40.5kV. The plug parts ranging from 24kV to 36kV have passed the European Electrical Authority test "KEMA test". We based on scientific research, attached importance to the market, and stick to the integrated manufacturing sales and service pattern---"High quality product plus high-quality technical service". Provide excellent and complete cable branch power distribution resolutions and all the concerned product service for medium/high-voltage power distribution customers both at home and abroad.



▶ 12-24kV 250A Transformer bushing



Type: ATB 1#-24/250

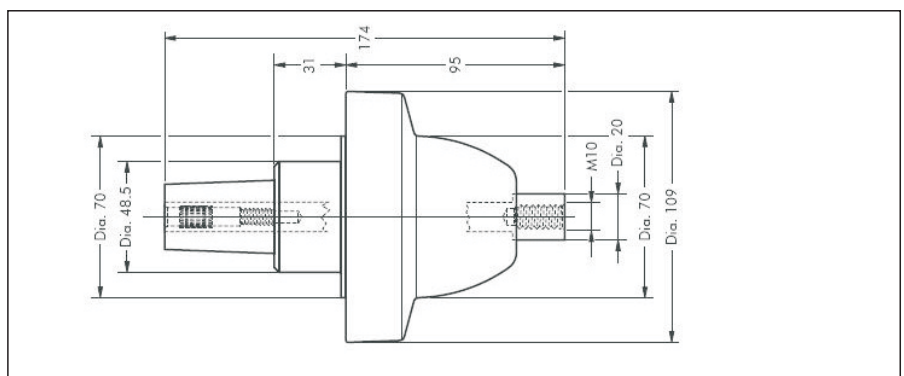
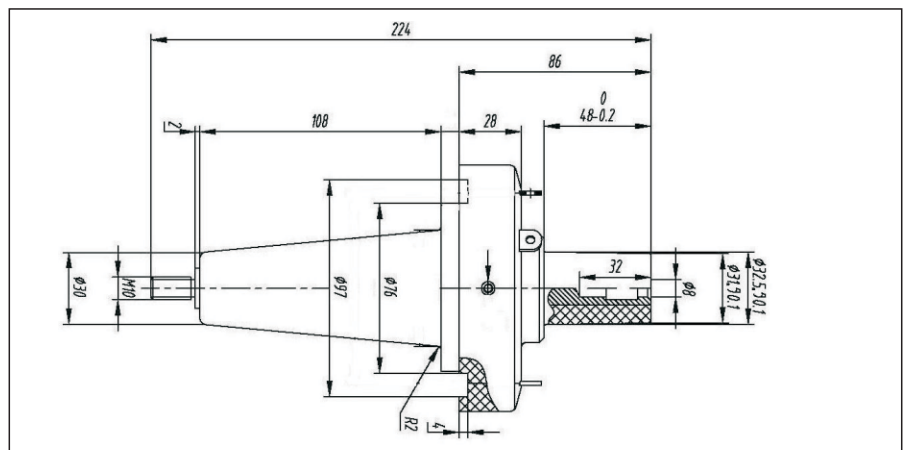
1. Suitable for oil-insulated (R-temp, hydrocarbon, or silicon), apparatus, including switchgear, transformer and capacitors.
2. For indoor and outdoor installations.
3. Mounting in vertical or horizontal position.

Electrical Ratings

1. Maximum system voltage: 24kV
2. Impulse : 125kV
3. AC. withstand voltage at 1min : 54kV
4. P.D. test at 24kV : < 10pC
5. Continuous current : 250A



Type: ATB 2#-24/250



AMPLETEK Cable accessories - Medium Voltage

▶ 36kV 630A Transformer bushing



Type: ATB-36/630

1. Suitable for oil-insulated (R-temp, hydrocarbon, or silicon), apparatus, including switchgear, transformer and capacitors.
2. For indoor and outdoor installations.
3. Mounting in vertical or horizontal position.

Electrical Ratings

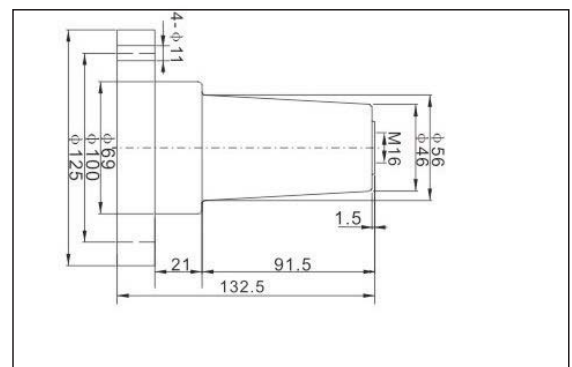
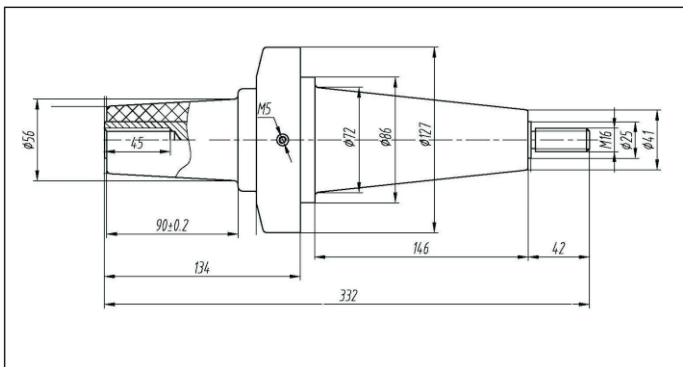
1. Maximum system voltage: 36kV
2. Impulse : 170kV
3. AC. withstand voltage at 1min : 81kV
4. P.D. test at 30kV : $< 10\text{pC}$
5. Continuous current : 630A

▶ 12-36kV 630A Single side bushing



Type: ASB-36/630

1. As the insulating support when single phase power supply for Pad-mound transformer, Cable Branch Unit and Ring Main Unit.
2. As the hanging function when make maintenance for Pad-mound transformer, Cable Branch Unit and Ring Main Unit.

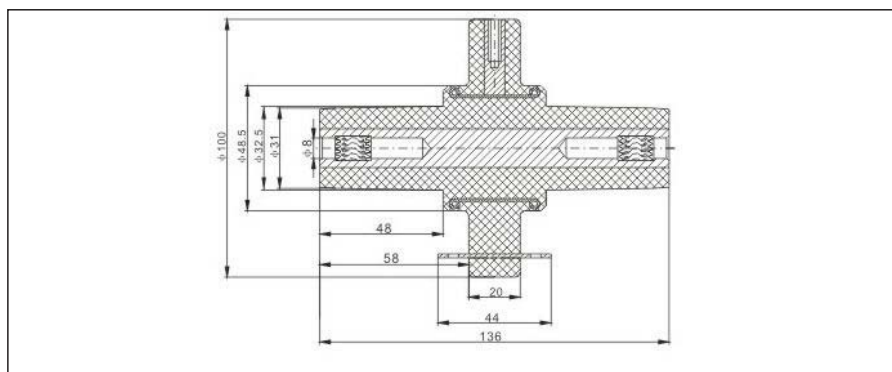


▶ 24kV 250A Coupling bushing



Type: ACB-24/250

Suitable for branch connection of Pad-mound transformer, outgoing side of Ring Main Unit with fuse. Assembled with Elbow connection to make the power distribution output come true.

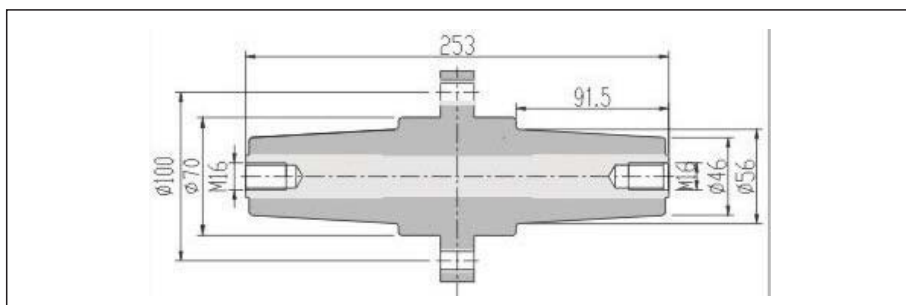


▶ 24kV 630A Round connecting bushing



Type: ARB-24/630

1. Fixed on the Euro-style cable branch box.
2. Both its two ends can be mounted with front connector to offer more branch systems.
3. In the condition of non-energized or non-branch system, it can be sealed by 630A insulation cap which used to provide dustproof, moistureproof and insulation protection.
4. Widely used in Euro-style cable branch box.
5. Fully-insulated and fully-sealed.



AMPLETEK Cable accessories - Medium Voltage

► 12-24kV 630A RMU bushing

1. Suitable for inflatable type Ring Main Unit.
2. Can effectively seal dielectric in the cabinet.
3. Fully insulated , free maintenance.



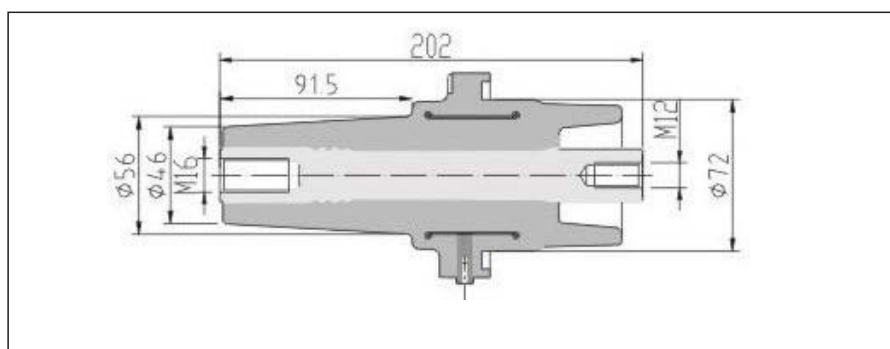
Type: AIB 1# -24/630



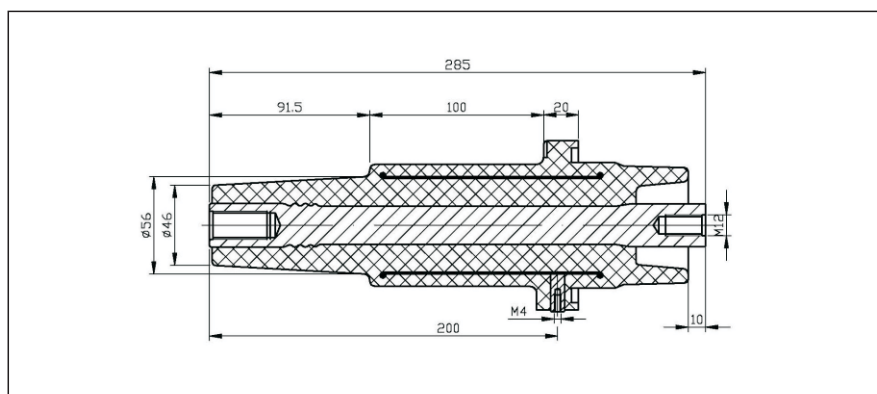
Type: AIB 2# -24/630



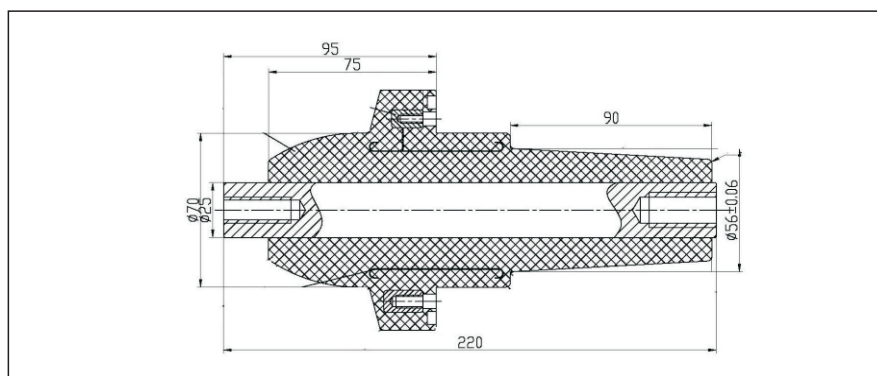
Type: AIB 3# -24/630



Type: AIB 1# -24/630



Type: AIB 2# -24/630



Type: AIB 3# -24/630

▶ 12-24kV 630A RMU bushing

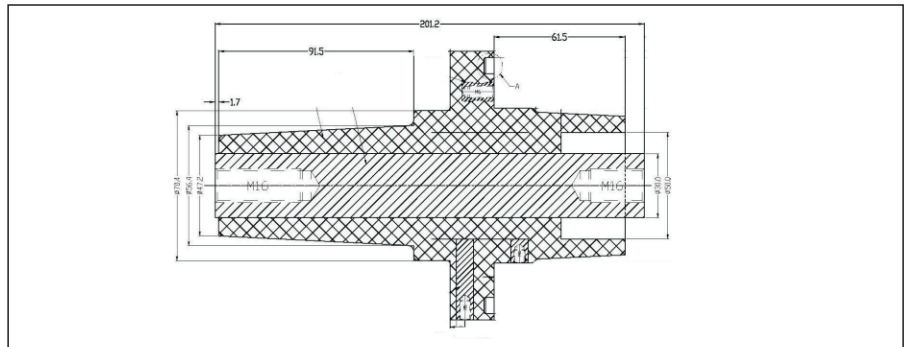


Type: AIB 4#-24/630

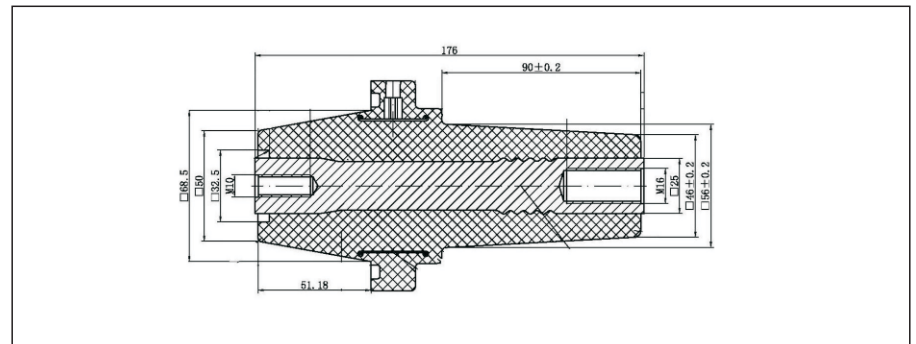


Type: AIB 5#-24/630

1. Suitable for inflatable type Ring Main Unit.
2. Can effectively seal dielectric in the cabinet.
3. Fully insulated , free maintenance.



Type: AIB 4#-24/630



Type: AIB 5#-24/630

▶ 10kV 630A Skirted bushing



Type: AKB-24/630

1. One end of bushing can be mated with front connector to offer more branch systems.
2. Another end with skirt connected with bus-bar is air isolation.

