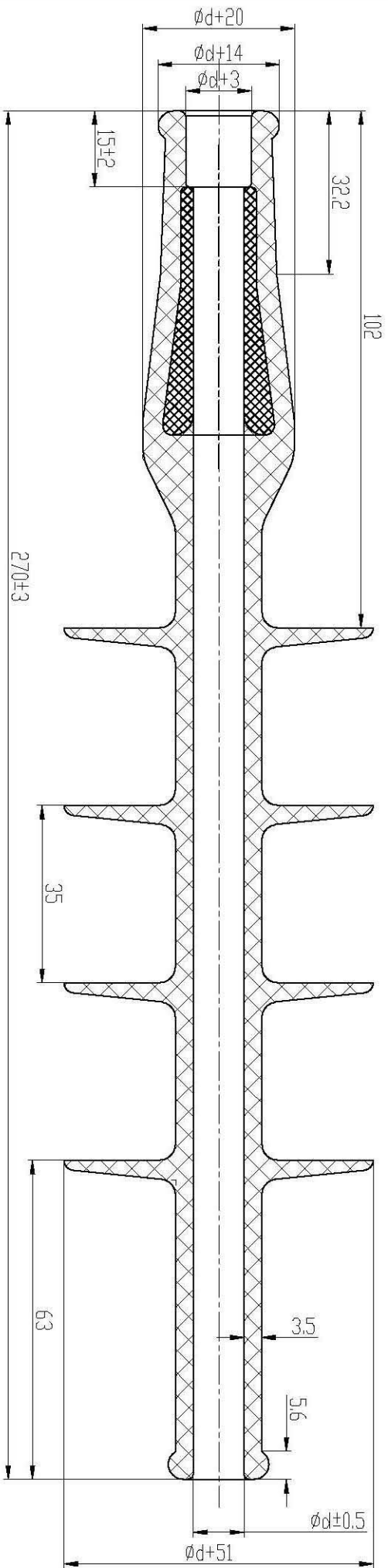


Cross section (mm ²)	25/35/50	70/95/120	150/185/240	300/400	500
∅d	10	13	18	21	21
Type	1#	2#	3#	4#	



AMPLER TECHNOLOGY (SHENZHEN), CO., L.T.D.

Customer

Description

15KV Cold shrinkable outdoor Termination

Material

S/R

Color

PART N.O.

Drawing No

Hardness

Rev.

Prepared by	2011.02.16	Unit	
Checked by		Tolerance	
Approved by			

