

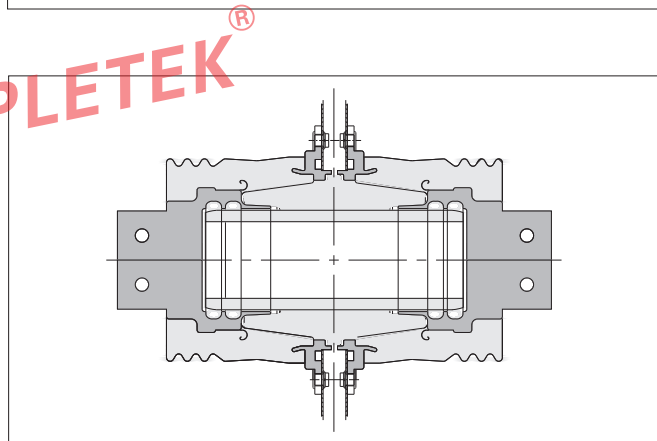
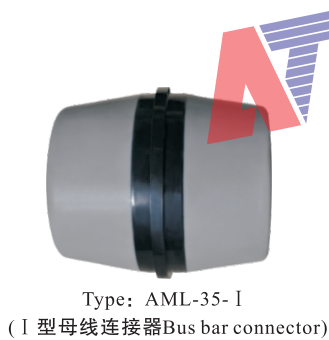
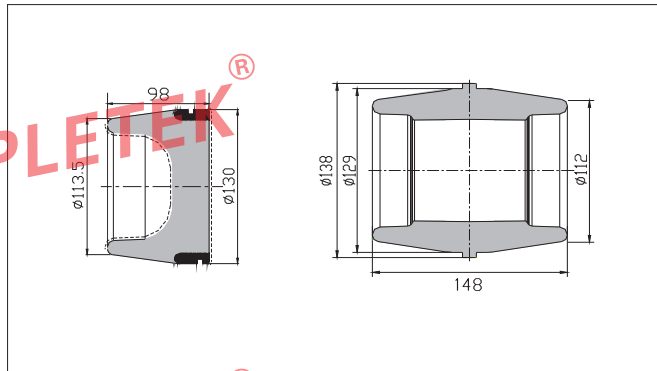
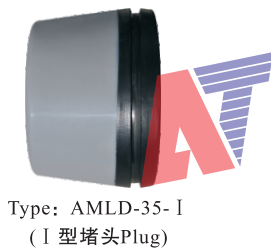
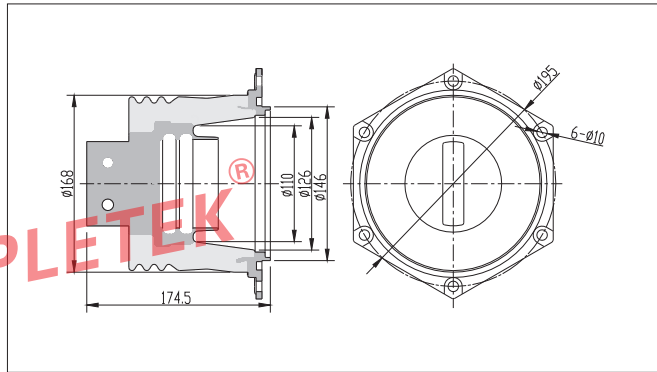
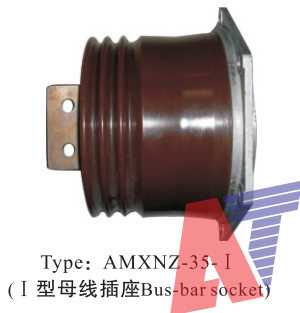
Cable Systems · Medium-Voltage

35kV | I 型侧面母线系统 I-Type lateral system

35kV 母线连接器用于 35kV GIS 系统并柜连接，结构紧凑，通流量大，是 35kV 组合型环网柜的优选方案。

I 型 35kV 堵头用于 35kV 可扩展型环网柜上，为暂时不需要扩展的环网柜提供防尘、密封和绝缘保护作用。

1. 35kV Insulating plug is used for expandable ring main unit.
2. Provide insulation, dustproof and dampproof protection for non-expanding ring main unit.
3. 35kV bus bar connector is suitable for the combination of 35kV GIS system.
4. Compact structure and high current capacity.
5. It is the prior option to 35kV combined ring main units.



(组装示意图)
(Assembly diagram)