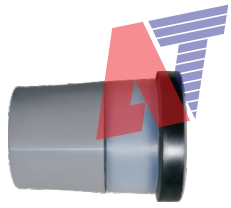


Cable Systems · Medium-Voltage

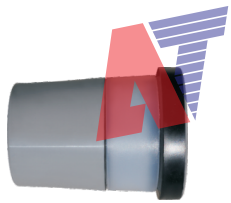
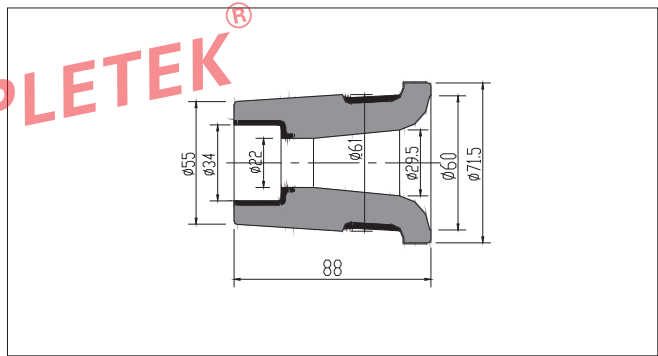
35kV PT 插头 PT connector

35kV PT插头 是为1#/2#内锥插座与电压互感器连接时提供密封的过渡元件，产品性能符合IEC60502标准。

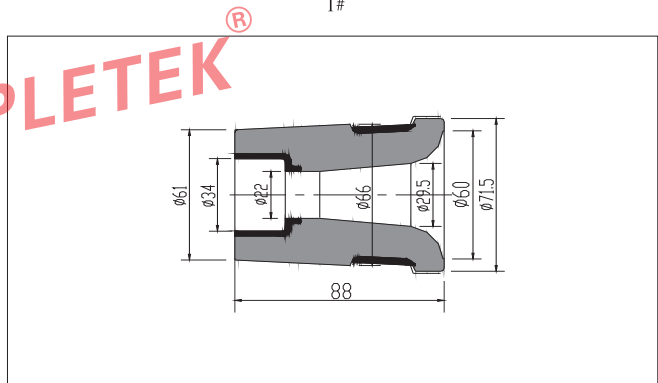
1. 35kV PT connector is used to provide sealed transition parts for the connection between 1#/2# inner cone socket and voltage mutual inductor.
2. Product performance is in accordance with IEC60502 standard.



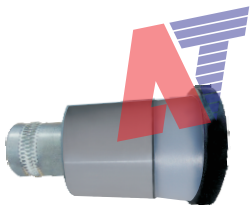
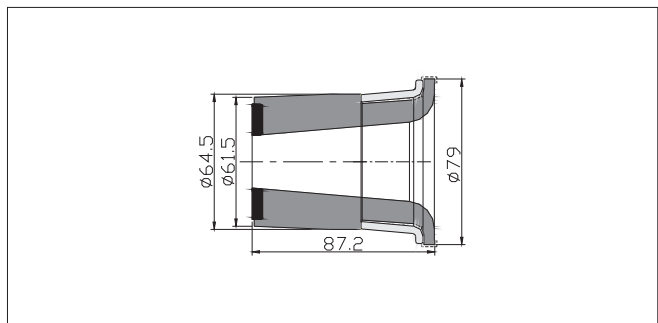
Type: APT-35-1
(PT插头 PT plug)



Type: APT-35-2
(PT插头 PT plug)



Type: APT-DYH2.1
(DYH2#-1电压互感器接头)



Type: APT-DYH2.2
(DYH2#-2电压互感器接头)

