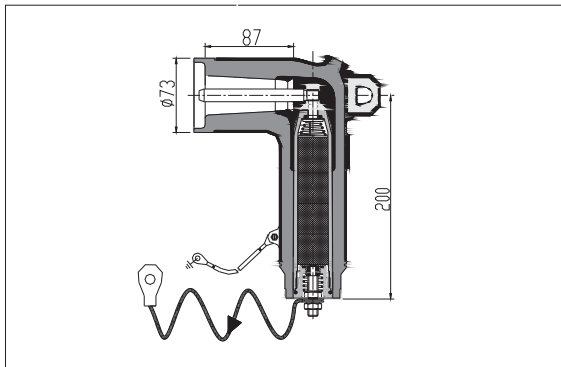


肘型避雷器

Elbow connector w/arrester



Type: AHY5WZ5-17/45(50)
(肘型避雷器 Elbow connector w/arrester)



肘型避雷器为电气设备提供防雷及过电压保护。使用时直接插在双通套管或T-II型接头上。避雷器采用独特的脱离防爆装置，在中性点任何一种接地方式下，避雷器长期运行蜕化或因雷击损坏时脱离装置都能可靠动作（弹出避雷器阀片）。有效防止避雷器发生爆炸和电力系统的永久性接地故障，确保电网安全运行。

1. Rear connector w/arrester protects electric apparatus from lightning and over-voltage.
2. Use bilateral bushing inserted directly or T-II type connector.
3. Arrester is adopted special explosion-protective separable device.
4. The arrester can keep in good operation under the condition of broken because of longtime aging or thunder lightning strike.
5. Protect the arrester from explosion or permanent eathing fault.
6. Guarantee the grid running safely.