

# Cable Systems · Medium-Voltage

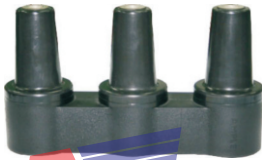
## 15kV | 多联插座 Multi-junction



Type: AMZ-15/200/□  
(三联插座3-Point junction)

200A/600A多联插座用于美式电缆分支线路中电缆接头的连接。按分支可分为二联、三联、四联三种，为全绝缘、全屏蔽、全密封产品。可与T型接头、T-II型接头连接，当其不与电缆连接时，必须使用200A/600A绝缘帽提供带电保护，红色防尘罩严禁带电使用。

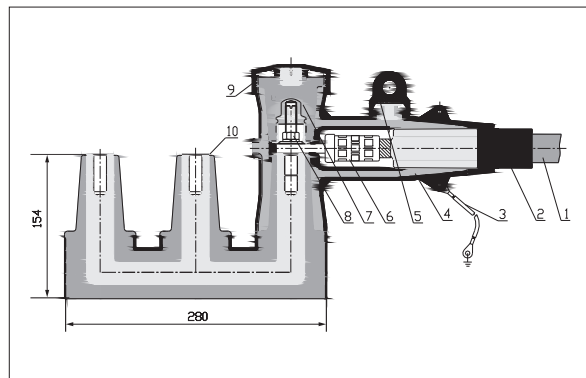
200A/600A多联插座宽度一致，电场分布更均匀，绝缘更可靠。



Type: AMZ-15/600/□  
(三联插座3-Point junction)

1. Suitable for the connection of cable connector in American-style cable branch system.
2. There are 2-point junction, 3-point junction and 4-point junction.
3. Fully-insulated, fully-sealed and fully-submersible.
5. 200A/600A insulation cap must be used to provide electriferous protection when the multi-junction does not connect with cable.
6. Red dustproof cover can't be used under energized condition.
7. 200A/600A multi-socket has the same width.
8. More uniform electric field distribution and more reliable insulation.

- |                          |                           |
|--------------------------|---------------------------|
| 1、电缆<br>Cable            | 6、端子<br>Compression lug   |
| 2、应力锥<br>Cable adaptor   | 7、绝缘塞<br>Insulating lug   |
| 3、接地线<br>Earthing wire   | 8、双头螺栓<br>Bolt            |
| 4、T型接头<br>T connector    | 9、封帽<br>Screen cover      |
| 5、验电点盖<br>Test point cap | 10、多联插座<br>Multi-junction |



- |                                |                                 |
|--------------------------------|---------------------------------|
| 1、电缆<br>Cable                  | 5、导电杆<br>Linking rod            |
| 2、肘型接头<br>Elbow connector body | 6、验电点盖<br>Test point cap        |
| 3、端子<br>Compression lug        | 7、接地线<br>Earthing wire          |
| 4、多联插座<br>Multi-junction       | 8、半导电层<br>Semi-conductive layer |

