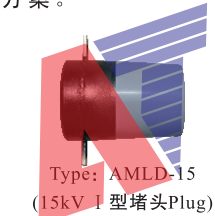


侧面母线系统

Lateral bus-bar system

I 型堵头/母线连接器用于环网柜的拼柜连接，为环网柜的扩展提供多分支的串接，是组合型环网柜的优选方案。

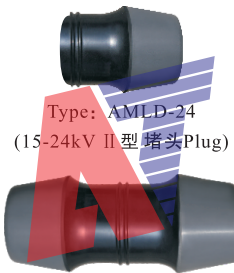


Type: AMLD-15
(15kV I型堵头Plug)



Type: AML-15
(15kV I型母线连接器Bus-bar connector)

II 型堵头/母线连接器用于环网柜的拼柜连接，为环网柜的扩展提供多分支的串接，是组合型环网柜的优选方案。

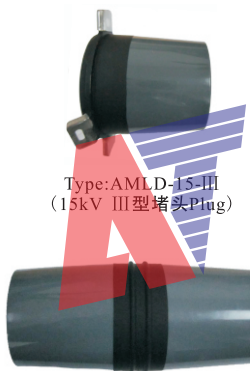


Type: AMLD-24
(15-24kV II型堵头Plug)



Type: AML-24
(15-24kV II型母线连接器Bus-bar connector)

III 型堵头/母线连接器用于环网柜的拼柜连接，为环网柜的扩展提供多分支的串接，是组合型环网柜的优选方案。

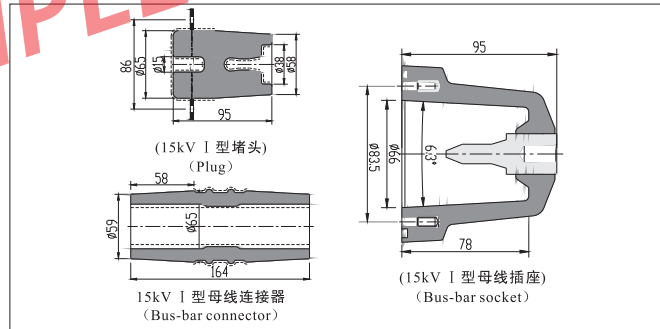


Type: AMLD-15-III
(15kV III型堵头Plug)

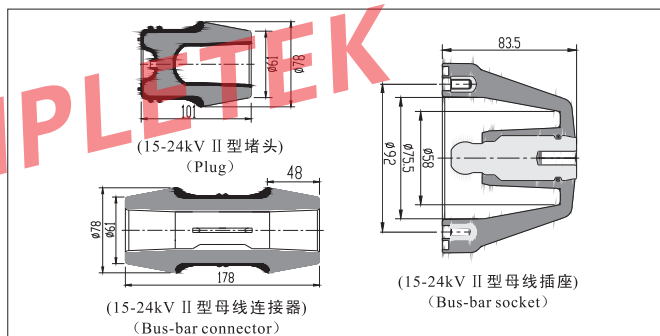


Type: AML-15-III
(15kV III型母线连接器Bus-bar connector)

1. I type plug/bus-bar connector is suitable for the consolidation connection of ring main unit.
2. Supply more branches for expansion.
3. A prior option to combined ring main units.



1. II type plug/bus-bar connector is suitable for the combined connection of ring main unit.
2. Supply more branches for expansion.
3. A prior option to combined ring main units.



1. III type plug/bus-bar connector is suitable for the combined connection of ring main unit.
2. Supply more branches for expansion.
3. A prior option to combined ring main units.

