

## 顶部母线系统

### Top bus-bar system



Type: AST-10/1250A  
(十字接头)  
(Crossing connector)



Type: ADT-10/1250A  
(丁字接头)  
(Bus-bar connector)



Type: AMG-10/1250A  
(屏蔽母线)  
(Screen bus-bar)

母线与1250A十字接头、丁字接头组合，安装在开关的插座上。可实现多台负荷开关的串接。是组合型环网柜的优选方案。

欧式十字接头、丁字接头配套母线长度可根据客户要求任意定制。

1. The bus-bar assembled with 1250A crossing connector and bus-bar connector mounting to the switch socket can provide series connection among multiple loaded switch gears.
2. A superior selection to combined ring main unit.
3. The length of bus-bar for Europe-style/American-style crossing connector and bus-bar connector can be decided by customers.

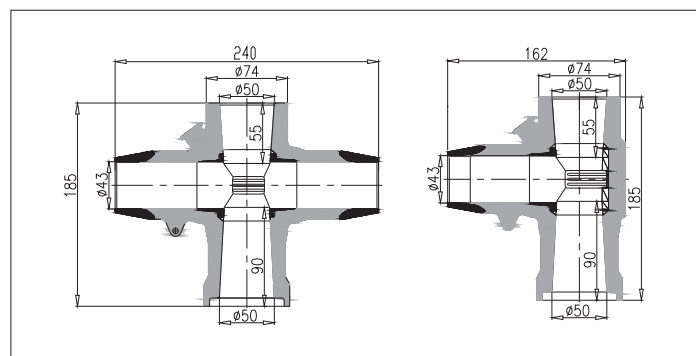
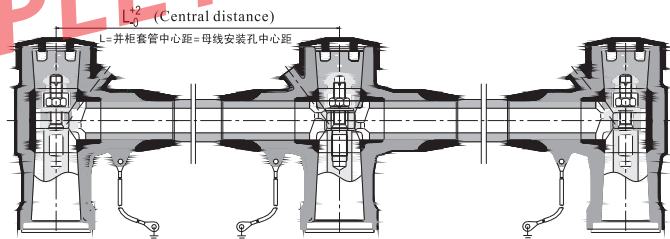
## 10kV 1250A 屏蔽母线系统

欧式十字接头、丁字接头适用于ABB，西门子，德理施尔等品牌；环网柜开关的顶部或底部全绝缘、全密封连接，有屏蔽与非屏蔽两种。与负荷开关标准插座匹配，也用于带开关分支箱中。

对负荷开关实现了全密封、全绝缘连接。完全避免了高压裸露在恶劣天气下所带来的致命缺陷。用十字接头、丁字接头母线系统组合成的环网柜造价低、可靠性高。

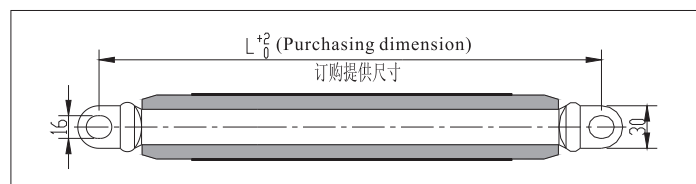
### Screen bus-bar system

1. Europe-style crossing connector and bus-bar connector are suitable for ABB, SIEMENS, Driescher, etc brand. the top or the bottom of switch ring main unit.
2. Fully-insulated, fully-submersible, screened and non-screened product.
3. Can be used in cable branch box matching with the loaded switch socket.
4. Its fully-insulated and fully-sealed connection avoids the critical defects caused by exposed high voltage in bad weather.
5. The ring main unit consisting of crossing connector and bus-bar connector.
6. Has high reliability and low investment.



(屏蔽型十字接头)  
(Screen crossing connector)

(屏蔽型丁字接头)  
(Screen separable bus-bar connector)



(注：实际长度可根据客户要求定制)  
(Not: the virtual length call be decided by customers' request)